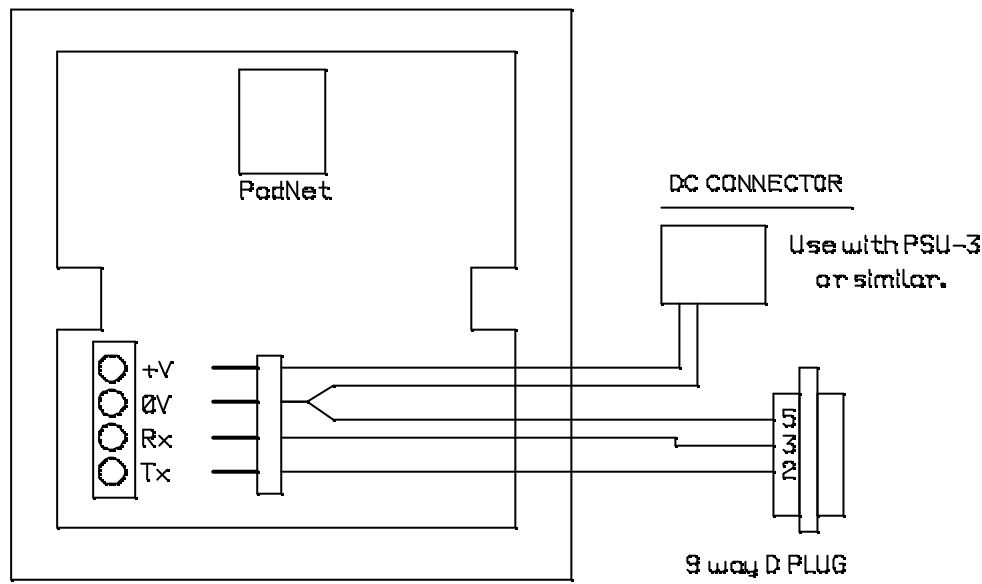


The following is how to connect an 8 button Wall Podule for programming. You can either make the lead yourself or a pre-made version is available from Ikon AVS. If making a lead it is recommended that the connection into the Podule is via a 4 way 0.1" molex header or similar.

Programming Connections



- DC Connector** Use to connect to the power supply, this must be 15V minimum and capable of 400mA. PSU-3 and Pod-PSU are suitable.
- 9 Way D Plug** Connect to the PC or laptop with a straight cable. For PC's & laptops with a serial port a 9way Female to Female is needed (or a male to female with a gender changer). For PC's and Laptop with only a USB port a USB to serial converter will be required as well as a cable or gender changer.
- Programming** Please refer to separate instructions for programming using either PodFlow or Pod Download.