

Connections for the USB-ST

Using the adapter

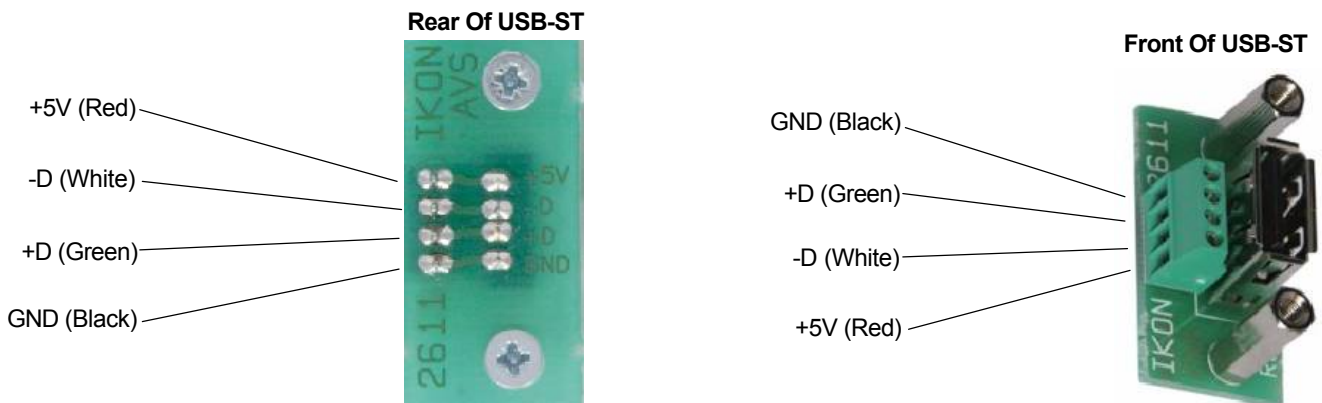
When terminating cables onto the connector they should be cut to the same length, to make terminating them into the screw terminals easier.

We take no responsibility for the colours of the wires in the cables.

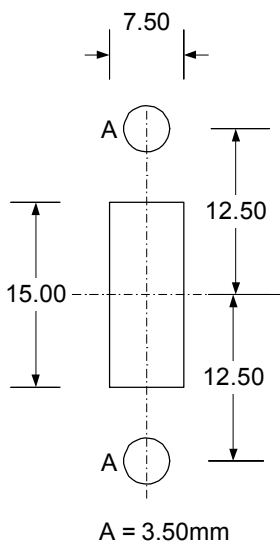
Colours shown are what we have found to be the typical colours used in most cables.

Other cables might be different. (See below)

Adapter Pin Out



New version has a 5 way screw terminal
S-GND to be used for the shield / braiding of the cable



Please note:

Most cable manufacturers tend to use the same colours in their cables as shown above.

Different manufactures of USB cables may use different colours in their cables from those mentioned above.

The info above is for reference only.

You may have to contact the manufacturer of your cable or pin it out using a multi meter to find out the relevant wire colours