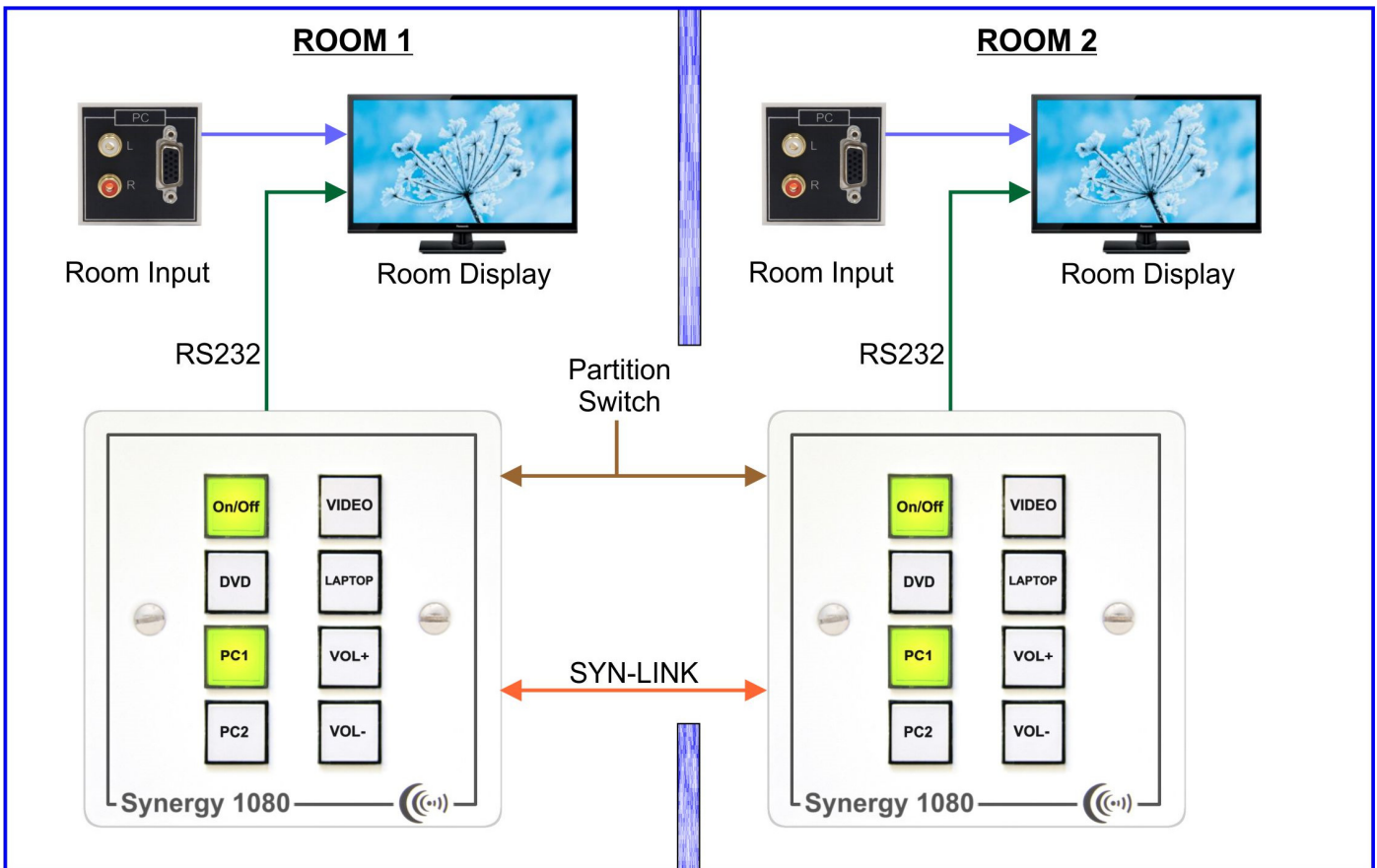


# SYNERGY 1080 Room Combining

All Synergy panels have a build in room combining function.



## Typical Use

Meeting rooms, conference rooms, hotels or anywhere where control over displays and sources is required.

## Description

The buttons on the Synergy 1080 can be configured for almost any application and in this example are configured for control over the display via RS232.

The diagram shows two identical systems in adjacent rooms that can be combined by opening a partition. When open a sensor on the partition is connected to the Inputs provided on the panels and automatically sets the operation into a combined mode.

## Control and installation

The unit is programmed using the Synergy software that incorporates libraries most common displays and players along with built in routines to handle the displays requirements. One of three options for room combining can be selected providing either:-

**Master / Slave** where one panel becomes the master for both rooms when combined.

**Dual Master** enables both panels allowing either or both to control both rooms.

**Alternate** where the first panel to be turned on becomes the master for both and locks out the other panel until turned off.

It is UK single gang size, 86mm x 86mm, and will fit both surface and recessed single gang back boxes and frames.

## Accessories

The Synergy 1080 is supplied complete with a 12V power supply. Please select input panels from our wide range available in a variety of configurations.

Synergy panels can be directly linked together with no additional hardware or software required to give dual control and room linking options. They can also be directly linked to the Synergy AU4 for audio source selection & microphone control.

## Kit List

For the system as illustrated you will need:-

2 x Synergy 1080	£ 390.00
2 x EP-PC50, XVGA & audio input panel	£ 42.00
2 x EP-50FW, white frame for input panels	£ 9.72
<b>UK List Total Cost</b>	<b>£ 441.72</b>

In addition you will need the following cables:-

Qty	Type	From	To
2	RS232	Synergy 1080	Display
2	VGA	PC input panel	Display
2	Screened stereo audio	PC input panel	Display
1	Syn-Link (RS232)	Synergy room 1	Synergy room 2
1	2 core low voltage multicore cable	Room partition switch	Synergy room 1
1	2 core low voltage multicore cable	Room partition switch	Synergy room 2