

DM-485, RS232 to RS485 Converter

The iKON DM-485 provides bi-directional conversion between RS232 and RS485. They can be used in pairs to extend the operating distance of a RS232 signal.

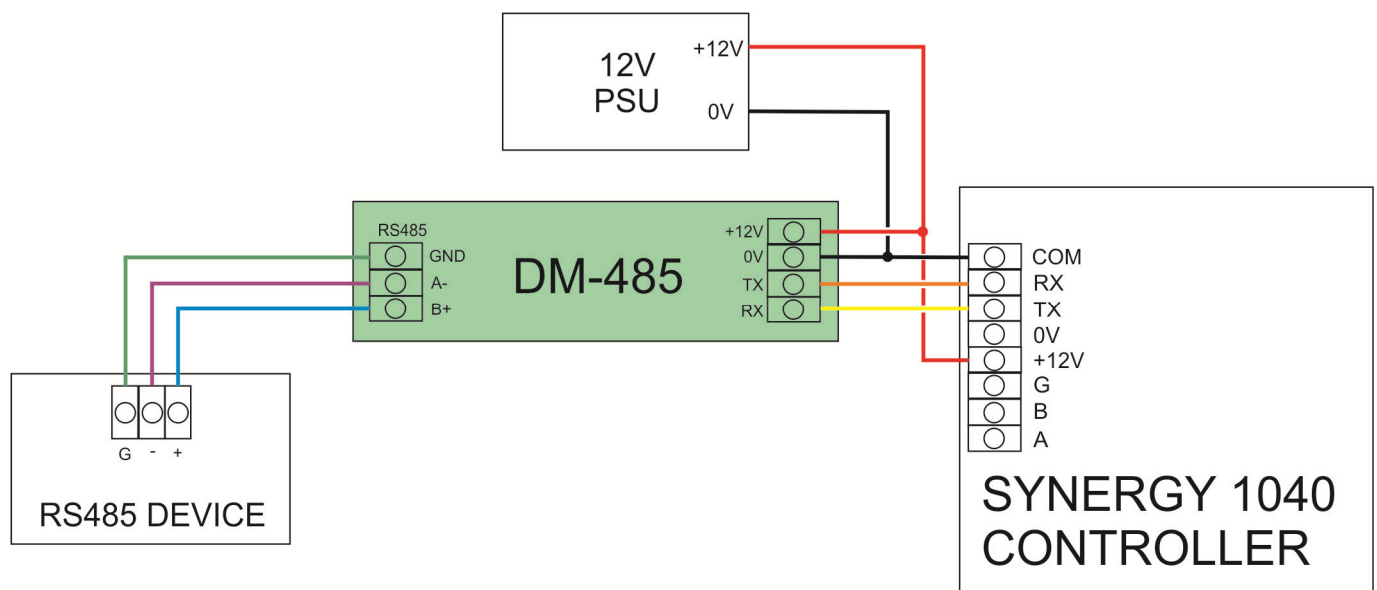
Hardware & Connections

Please ensure that all connections are via the screw terminals only. Use a 1.6mm (max 1.8mm) flat blade screwdriver.

The 0V on the RS232 side is common between the RS232 connect and the power supply. The Gnd connection on the RS485 side is optional.

Due to different wiring conventions, it may be necessary to reverse the A and B connections on the RS485 side.

The following shows a typical connection scenario. Adapt to suit the equipment to be used.



The power supply needs to be between 12V and 30V DC.

Software

There are no software requirements for operation.